

# Technical data sheet



## Product features

### Tilting bratt pan manual gas 50 l steel compound bottom

<b>Model</b>	<b>SAP Code</b>	00110048
BR 70/80 G	<b>A group of articles - web</b>	Pans



- Bottom material: Steel
- Bottom thickness: 12.00
- Basin volume [l]: 50
- Usable volume [l]: 50
- Ignition: Piezo
- Tilting: Manual
- Filling: Mechanical cock
- Type of pan: Tilting
- Basin shape: Practically shaped bathtub spout to minimize spillage
- Protection of controls: IPX4

<b>SAP Code</b>	00110048	<b>Power gas [kW]</b>	12.000
<b>Net Width [mm]</b>	800	<b>Type of gas</b>	Natural gas, propane butane
<b>Net Depth [mm]</b>	700	<b>Bottom material</b>	Steel
<b>Net Height [mm]</b>	900	<b>Basin volume [l]</b>	50
<b>Net Weight [kg]</b>	138.00	<b>Usable volume [l]</b>	50
<b>Power electric [kW]</b>	0.000	<b>Tilting</b>	Manual

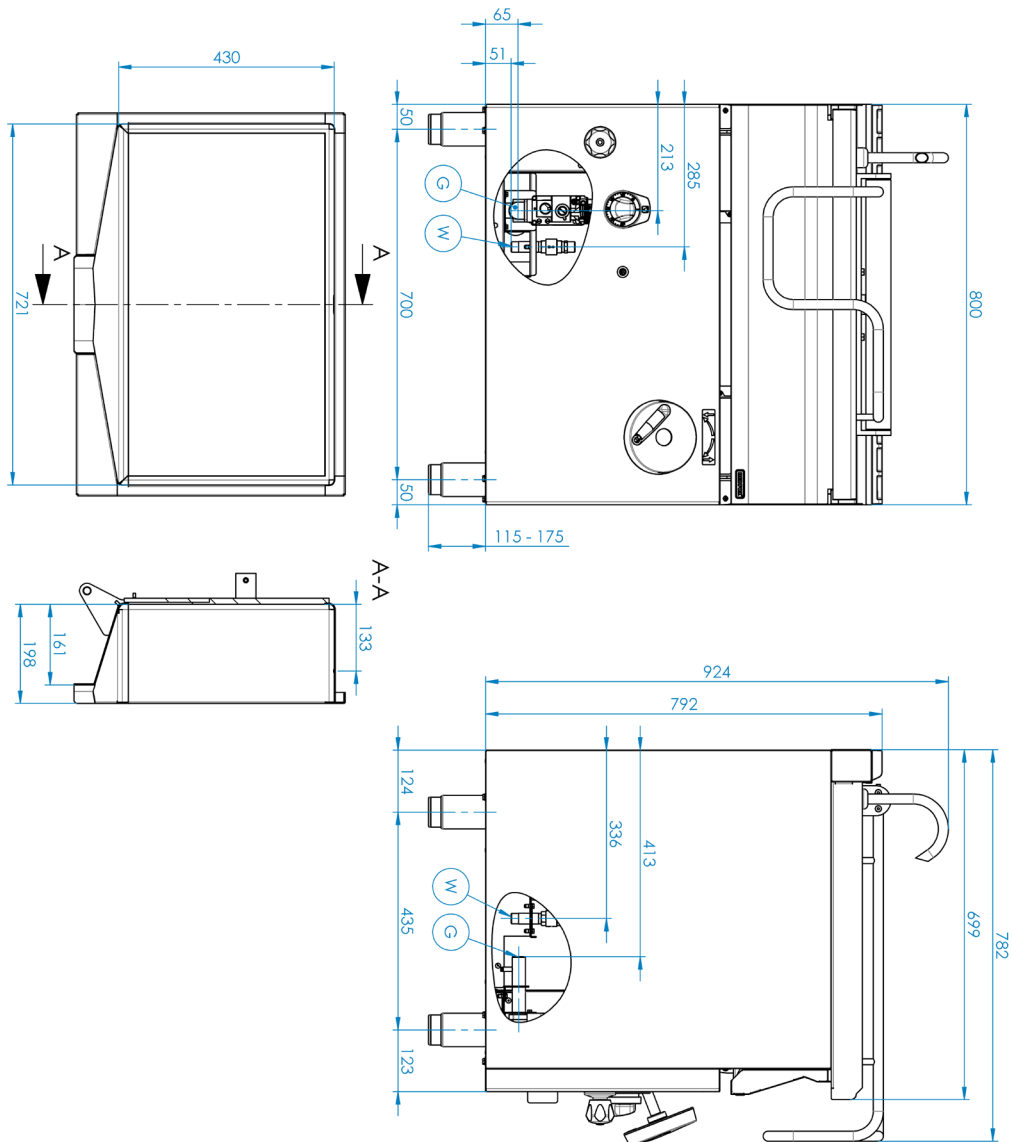
# Technical data sheet



Technical drawing

## Tilting bratt pan manual gas 50 l steel compound bottom

<b>Model</b>	<b>SAP Code</b>	00110048
BR 70/80 G	<b>A group of articles - web</b>	Pans



# Technical data sheet



## Product benefits

### Tilting bratt pan manual gas 50 l steel compound bottom

<b>Model</b>	<b>SAP Code</b>	00110048
BR 70/80 G	<b>A group of articles - web</b>	Pans

1

#### **Safety element – thermocouple**

safe service for staff  
there is no unnecessary gas leakage  
long life

2

#### **Manual folding system**

maintenance-free system  
resistance to splash water  
long life

3

#### **Degree of protection of the control elements IPX4**

maintenance-free system  
resistance to splash water  
long life

4

#### **Efficient distribution of heating elements**

perfect heat distribution including corners  
fast heating

# Technical data sheet



## Technical parameters

### Tilting bratt pan manual gas 50 l steel compound bottom

<b>Model</b>	<b>SAP Code</b>	00110048
BR 70/80 G	<b>A group of articles - web</b>	Pans

**1. SAP Code:**

00110048

**2. Net Width [mm]:**

800

**3. Net Depth [mm]:**

700

**4. Net Height [mm]:**

900

**5. Net Weight [kg]:**

138.00

**6. Gross Width [mm]:**

860

**7. Gross depth [mm]:**

820

**8. Gross Height [mm]:**

1079

**9. Gross Weight [kg]:**

151.40

**10. Device type:**

Gas unit

**11. Power electric [kW]:**

0.000

**12. Power gas [kW]:**

12.000

**13. Ignition:**

Piezo

**14. Type of gas:**

Natural gas, propane butane

**15. Protection of controls:**

IPX4

**16. Material:**

AISI 304 top plate, AISI 430 cladding

**17. Basin volume [l]:**

50

**18. Maximum device temperature [°C]:**

300

**19. Minimum device temperature [°C]:**

50

**20. Safety thermostat:**

Yes

**21. Safety thermostat up to x ° C:**

360

**22. Adjustable feet:**

Yes

**23. Tilting:**

Manual

**24. Bottom thickness:**

12.00

**25. Bottom material:**

Steel

**26. Type of pan:**

Tilting

**27. Usable volume [l]:**

50

**28. Filling:**

Mechanical cock

# Technical data sheet



Technical parameters

## Tilting bratt pan manual gas 50 l steel compound bottom

<b>Model</b>	<b>SAP Code</b>	00110048
BR 70/80 G	<b>A group of articles - web</b>	Pans

### 29. Basin shape:

Practically shaped bathtub spout to minimize spillage

### 31. Connection to a ball valve:

1/2

### 30. Water filling type:

Cold

### 32. Water supply connection:

1/2"